



Neolyser

The compact electrolyzer with big performance

Combining an **ultra-compact design**, an **intuitive touch interface**, and **remote control**, this new electrolyzer is designed for **small spaces**, bringing together simplicity, efficiency, and connectivity. Created for demanding users, it offers a simplified and optimized water treatment experience. Thanks to its connectivity, you can monitor, control, and adjust your water treatment remotely from your smartphone for complete peace of mind.

- **Efficient Treatment** : Guarantees clean and crystal-clear water through optimized chlorine production. Designed for pools up to 90 m³, available in five models from 4 to 20 g/h.
- **Smart Connectivity** : Remote management via the Poolex App with simplified configuration. The Cloud enables remote diagnostics and interventions, making maintenance easier.
- **LED Indicator Strip** : A clear color code instantly shows whether treatment is running, finished, or requires user action.
- **Dual Dry Contact** : Adjusts chlorine production based on the pool cover status (open/closed) and controls the filtration pump relay for perfectly synchronized pool management.
- **Ideal for underground technical rooms:** Resistant to ambient air temperatures up to 55°C, making it suitable for enclosed installations.
- **Optional ORP Probe:** Allows automatic chlorine regulation.



Application
POOLEX



Compact design



WiFi, Cloud & OTA



Adjustable 90° touchscreen display

GUARANTEE

Housing + Cell 10,000h
excluding wearing parts **5** years

FOR POOLS
up to 90m³

Automated
CONTROL

5 versions
AVAILABLE

POOLEX
FOLLOW THE EXPERT



DURABLE AND RELIABLE DESIGN

Built to last, the Neolyser features a shock-resistant, recyclable expanded polyethylene foam casing that effectively protects its components while ensuring maximum durability.

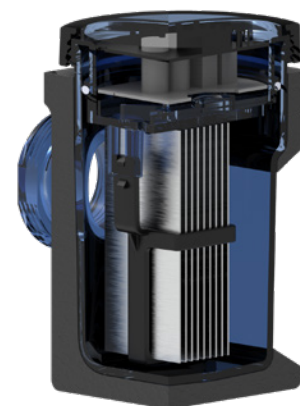


ROTATABLE SCREEN

The display can be unclipped and rotated in 90° increments, adapting to all installation configurations for optimal readability, regardless of mounting orientation.

AUTOMATIC CELL MAINTENANCE

Its automatic and adjustable polarity reversal (every 4, 8, or 12 hours) efficiently limits cell scaling, extending the lifespan up to 10,000 hours on average.



POOLEX DEDICATED APP

- ✓ Remote control
- ✓ User-friendly interface
- ✓ Software update
- ✓ Pool health history tracking
- ✓ Real time date display



OPTIONALE

ORP probe Kit compatible with Neolyser

Referenz | CL-SORP2

Pool Volume (m ³)	< 20m ³	< 30m ³	< 50m ³	< 75m ³	< 90m ³
Chlorine Production	4 g/h	6 g/h	10 g/h	15 g/h	20 g/h
Cell Type	Bipolar Cell – 10,000 h lifespan				
Salinity	2,7 à 4,5 g/l				
Cell Connection	Ø50 mm to glue				
Polarity Reversal	Adjustable: 4 / 8 / 12 h				
Alarms	High/low salt level, insufficient water flow				
Operating Modes	8 operating modes, including 3 Boost modes + optional ORP sensor				
Connectivity	Poolex APP - WiFi & Cloud				
LED Display	Rotatable (90°) to suit installation orientation				
Functions	Filtration pump control (dry contact), production adjustment by cover, water temperature sensor, flow detector, optional ORP probe				
Max Ambient Temperature	55°C – Ideal for hot technical rooms				
Water Temperature (Alarm)	15 – 45°C				
Data History	Graphs of main parameters (Energy, Salt, Temperature, ORP if option)				
PoolTerre	Included – must be connected to a <20 Ohm ground stake				
Analysis Chamber	None				
Warranty	5 years (control box + titanium cell, 10,000 h lifespan)				
Accessories	Cell fittings (Ø50 + Ø38/32 TBD), PoolTerre kit (Ø50 clamp included), cleaning cap, winterizing tube				